



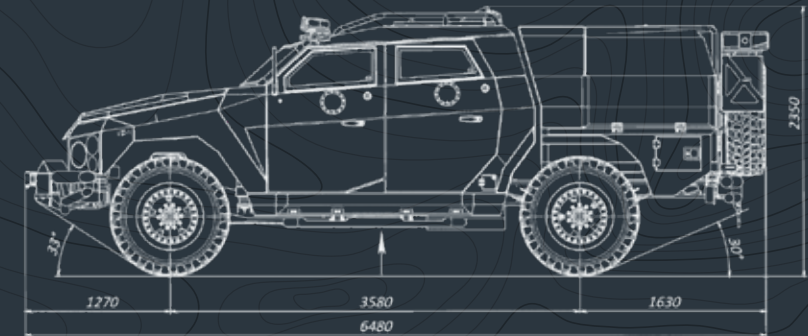
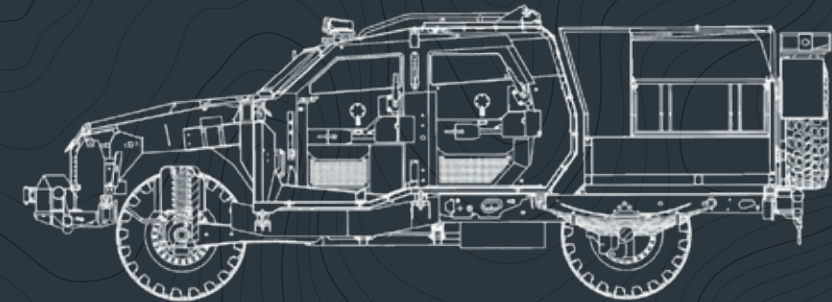
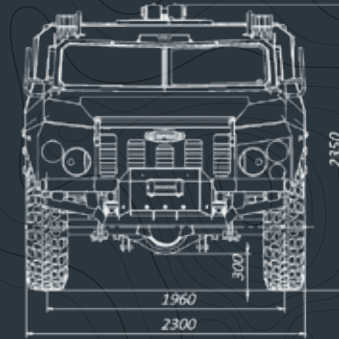
# ARMORED PERSONNEL CARRIER



DESIGN AND MANUFACTURING  
COMPANY  
UKRAINIAN ARMOR

2019

# SPECIALIZED ARMORED VEHICLE "NOVATOR"



## Vehicle Model: NOVATOR

### PERFORMANCE

Max speed	Up to 140 km/h on road
Drive Range	Up to 700 km
Fuel Tank Capacity	160 L
Gradient	60 %
Side Slope (Static)	50 %
Fording	No less 0,7 m
Blast protection seats (with 5 point belts) tested to the levels stated in STANAG 4569 in accordance with strict requirements of NATO AEP-55 Volume 1.	2+3

### MAIN VEHICLE DETAILS

#### ENGINE

Engine Type	Turbo Diesel
Engine Output	300HP
Engine Torque	895 N*m
Engine capacity	6,7 L

#### ELECTRICAL

Electric System	12V, 78 A
POWER Inverter	4V-220 V

#### CHASSIS

Gearbox	6 gear automatic
Wheel Drive	AWD4x4
Runflat	Runflat Inserts
Wheel and Tires	335/80R20
Suspensions	Modernized Suspensions

#### BRAKES

Front	Hydraulic dual circuit brake with ABS
Rear	Hydraulic dual circuit brake with ABS

### PROTECTION

Crew Compartment	from the SVD rifle with a 7.62 bullet 57-N-323S
Floor	from blasting 2 hand grenades of the RGD-5 type below the bottom of the sample and the wheel

### DIMENSIONS

Length	6500 mm
Height	2300 mm
Width	2350 mm
Wheelbase	3358 mm
Ground Clearance	300 mm

### WEIGHT (INCLUDING ARMOR KIT)

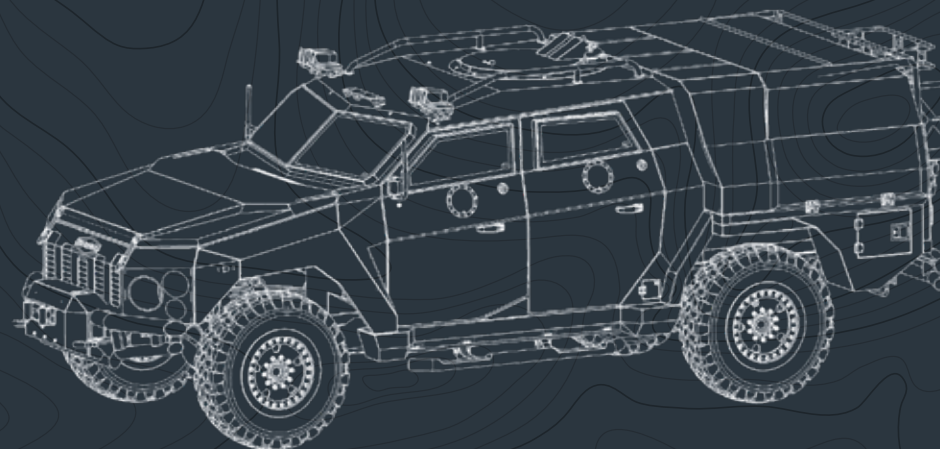
GVW	8845 kg
Pay load	2000 kg
Combat Weight	6845 kg

### EMERGENCY

Fire	Automatic Fire Extinguishing System crew and engine compartment
First Aid	First Aid Kit (5 pers)
Escape	Roof Escape Hatch

### OTHER FEATURES

5 gun ports
Air condition
Heater
Flow ventilation
Powder gases ventilation system
Waterproof WINCH with 8 t towing capacity and 25m length



## ENGINE



Engine Type: 6,7L 4V OHV Power STROKE V8  
Turbo Diesel B20  
Max Rated Power with RPM: 300 hp at 2800 RPM  
Max Torque with RPM: 895 H\*M at 1600 RPM  
Number of Cylinder: 8  
Compression Ratio: 16.2:1  
Bore and Stroke: 99 x 108 mm  
Piston Displacement: 6700 cc  
Max speed: 140 km/h

## FIRE EXTINGUISHING SYSTEM



High speed fire suppression system for:

- crew compartment
- engine compartment

The system with UV IR detectors can indicate combustion in 3 milliseconds and suppress it in 250 milliseconds.

## PROTECTION



Bulletproof protection from:

- M80(simple) bullet of 7,62 x 51 round with 30 m distance and 833 m/s impact speed
- SS 109 bullet of 5,56x45 mm round with 30 m distance and 900 m/s impact speed
- M193(simple) bullet of 5,56x45 mm NATO round with 30 m distance and 937 m/s impact speed

Splinter proof protection from: exposure of 155 mm high explosive shell with 100 m distance

Mine protection from: hand grenades, unexploded artillery shell submunitions, exploded antipersonnel breaching obstacles

## HVAC



- Air conditioning
- Heating system

Independent air conditioning and heating system ensures a comfortable climate in the vehicle at a -40 to +50 °C.  
All windows and mirrors are heated.

## BULLETPROOF GLASS



- Multi-layer bulletproof glass with additional antispall layer.
- External mounting gives more space inside the vehicle.

## ELECTRIC WINCH



APC NOVATOR is equipped with an electric shock protection and water proof winch with towing capacity 9 t and steel cable 25 m.

In order to increase traction, a set of pulley blocks can be installed.

## RUN-FLAT



Rubber Run-flat tire will allow continued operation even after a loss of some or all inflation pressure for up to 50 km on off road. Made of three parts, which allow quick mounting without special equipment.



## DOOR MECHANISM



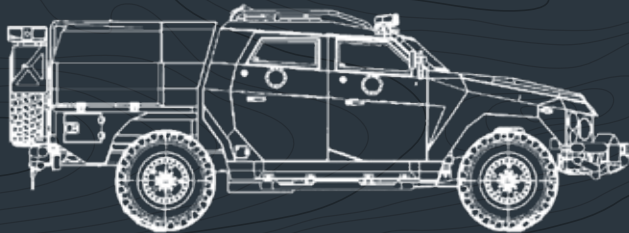
The door mechanism is easy to operate and allows power locking of heavy-duty doors up to 300 kg.



## SEATING CAPACITY

5 - Surveillance and reconnaissance vehicle

8 - Armored personnel carrier



## LIGHTS



All lights are made from polycarbonate materials that are 200 times stronger than glass. All lights are dust, water and chalk-resistant. Interior lighting with several settings: Full, partial camouflage and specific night lighting.



## ABOUT US

### DESIGN AND MANUFACTURING COMPANY

UKRAINIAN ARMOR has vast experience in the defence industry, primarily meeting the demands of the Ukrainian Armed Forces along with armies around the world. We manufacture specialized armored vehicles NOVATOR and armored personnel carrier (APC) VARTA for transporting soldiers in combat situations and combine under the same management enterprises on engineering, production consulting, legal support and sales of defence products both for domestic and foreign markets. We specialize in manufacturing APC, medical ambulances, field kitchens, military units and artillery weapons, as well as modernization and armoring of military vehicles. We offer localization of manufacturing capabilities in your country and help foreign companies and Ukrainian producers in their market expansion.





# UKRAINIAN ARMOR

Design and  
Manufacturing  
Company



18 O.Dovzhenka Street  
03057, Kyiv, Ukraine  
tel./fax: +38 044 337 70 10  
info@ukrarmor.com  
www.ukrarmor.com